

JUXTA D Series

General Specifications

Model DP1
Pulse Repeater

JUXTA

1. General

This DSC correspondence nest stored type signal conditioner converts non-voltage contact pulse, open collector contact, voltage or current pulses from the field to isolated transistor contact pulse.

- Built-in 12V or 24V power supply for transmitter.

2. Specifications

Inout & Output	
Input signal	15K Ω or more when contact or voltage pulse Depends on load resistance value when current pulse
Signal source resistance	1K Ω or less
Internal load resistance (current pulse)	200 Ω , 510 Ω , 1K (selectable by DIP switch)
Input frequency	0 < FR \leq 6KHz (FR: input frequency) Available upto 0 < FR \leq 10KHz at voltage pulse amplitude of 5V or more
Min. input pulse width	ON: 60 μ s, OFF: 60 μ s
Transmitter power supply	12V DC \pm 10%, 30mA or less or 24V DC \pm 10% 30mA or less
2-wire type	Contact point ON/OFF, voltage pulse, current pulse (transmitter power supply also available)
3-wire type	Power supply type
Contact input type	Relay contact or transistor ON/OFF contact
Contact closed	200 Ω or less, Contact open : 100K Ω or more
Contact capacity	15V DC, 15mA or more
Filter	Selectable by jumper pin (filter time constant 10ms)
Swing width	EH-EL \geq 3V
Voltage EL (Low level)	-1V \sim +8V DC
Voltage EH (High level)	+3V \sim +24V DC
Output signal	Transistor contact (open collector) Ch2 output operation is same as Ch1
Output frequency	Same as input frequency
Output contact capacity	30V DC, 30mA (Max)
Standard Performance	
Insulation resistance	100M Ω or more between input~output~power supply mutually
Voltage withstand	1500V AC/minute between input~output, input~power supply 500V AC/minute between output~power supply
Ambient temperature and humidity	Normal operating condition : 0 \sim 50 $^{\circ}$ C, 5 \sim 90% RH Operating limit : -10 \sim 60 $^{\circ}$ C, 5 \sim 95% RH Storage condition : -10 \sim 70 $^{\circ}$ C, 5 \sim 95% RH (no condensation)
Power supply voltage	24V DC \pm 10% (ripple content 10% p-p or less)
Effect of power supply voltage fluctuation	\pm 0.1% or less of span per 24V DC \pm 10% fluctuation
Effect of ambient temperature change	\pm 0.2% or less of span per 10 $^{\circ}$ C temperature change
Current dissipation	24V DC 60mA
Mounting & Dimension	
Boards	Both sides glass-epoxy
Mounting method	Store in exclusive nest (signal power supply be connected through back board and connector)
Wiring	External wiring : Connect to terminal M4 screw of input/output of exclusive nest. Connection to I/O card: By exclusive cable (connector)
External dimension	130.6 X 23.6 X 126mm (HxWxD)
Weight	About 120g
Accessories	
Tag number label ... 4	

DP1-□11*A

TYPE _____

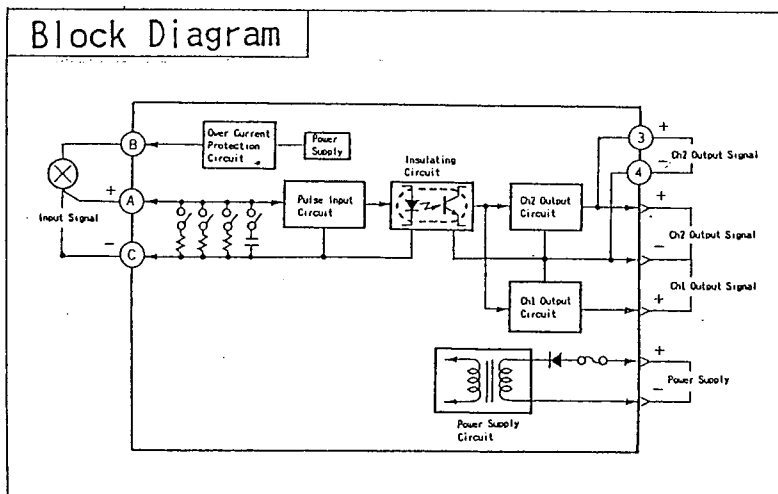
INPUT SIGNAL _____
 1 : Transmitter Power Supply
 with (12V DC±10%)
 2 : Transmitter Power Supply
 with (24V DC±10%)

CH1 OUTPUT SIGNAL _____
 1 : Open Collector

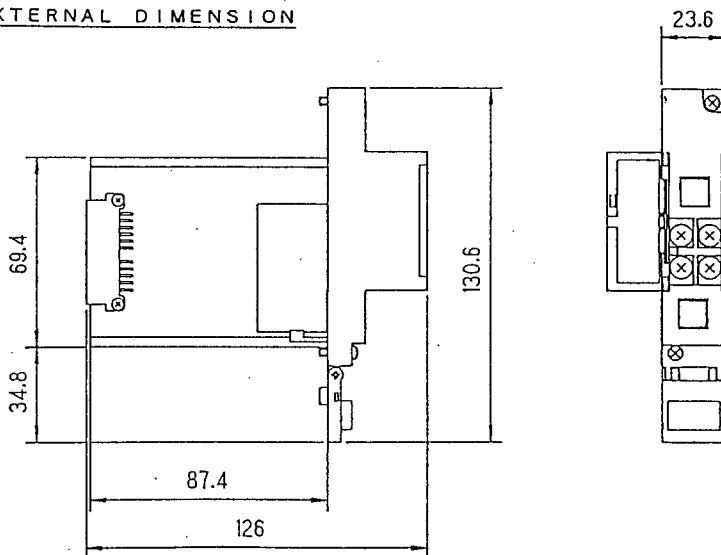
CH2 OUTPUT SIGNAL _____
 1 : Open Collector

POWER SUPPLY
 24V DC±10%

ORDERING INFORMATION
 (Example) Type Code : DP1-111*A



EXTERNAL DIMENSION



Unit : mm

Subject to change without notice for grade up quality and performance